

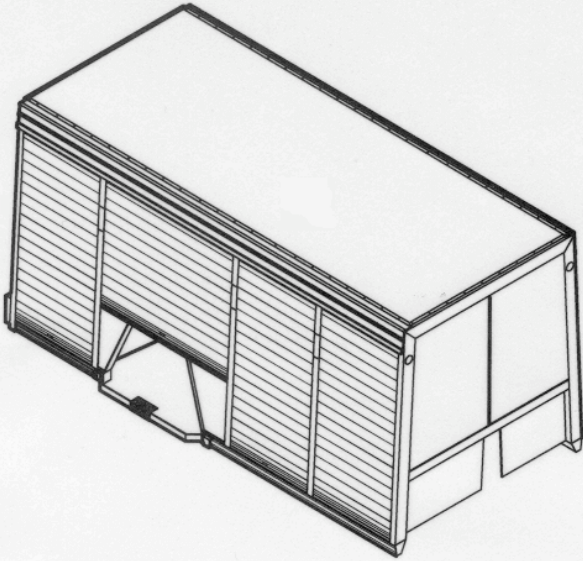
BODY INFORMATION

**TYPICAL BODY CONFIGURATIONS
BODY ASSEMBLY
CATALOG SECTIONS**

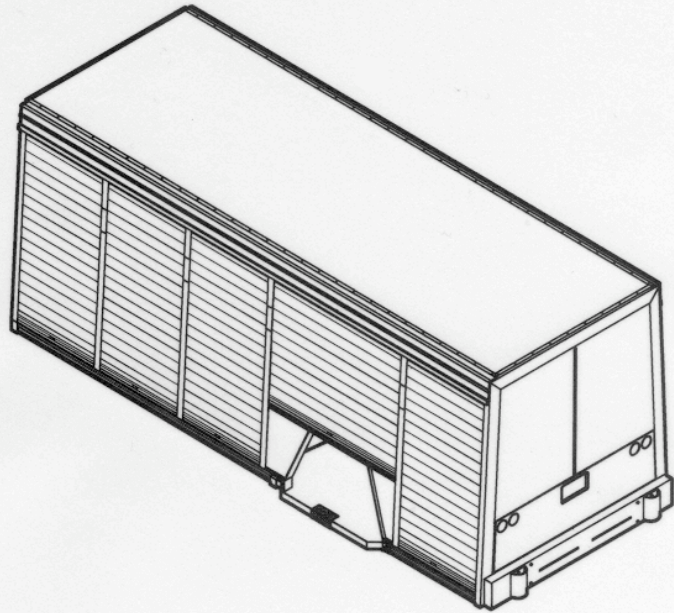
B- BODY STRUCTURE
F- BODY FRAME
X- OPTIONS



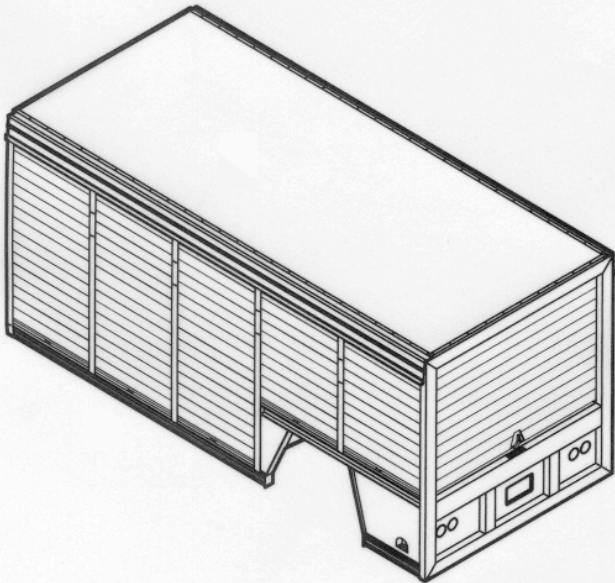
Typical Body Configurations



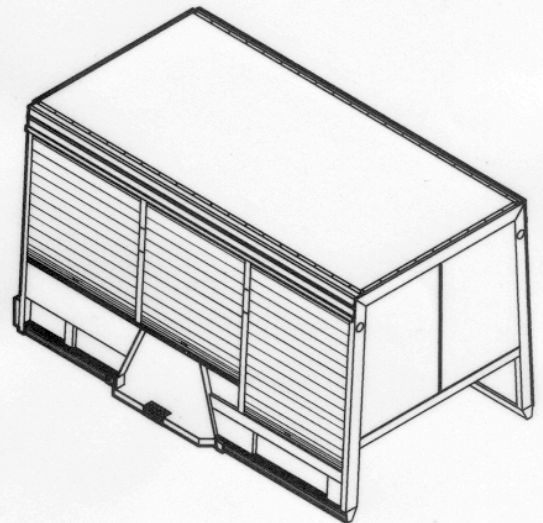
8 BAY ROUTE BODY



10-1/2 BAY ROUTE BODY

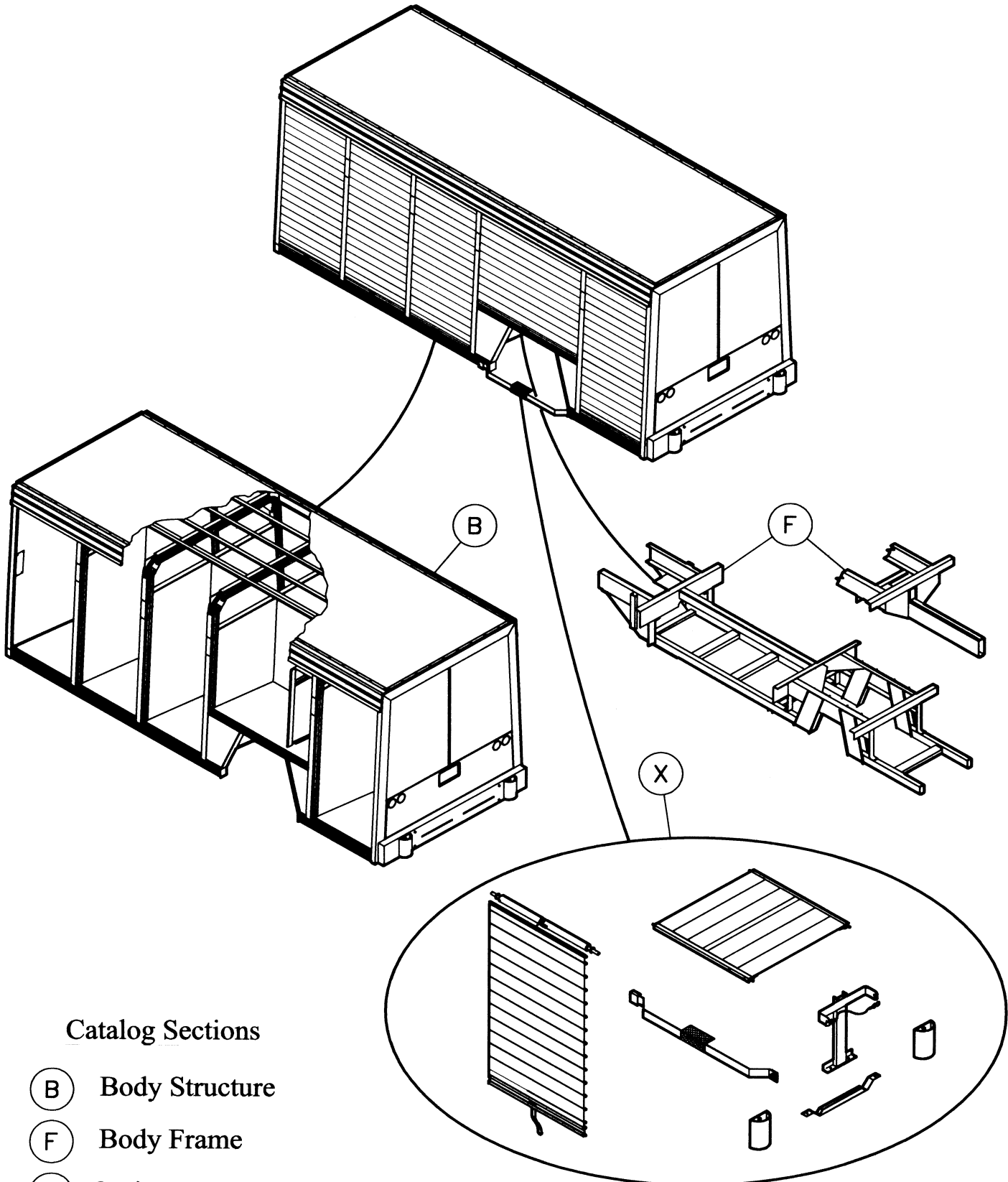


CONVERTIBLE LOAD BODY



HOT SHOT BODY

Body Assembly



Catalog Sections

- (B) Body Structure
- (F) Body Frame
- (X) Options